

sew

ISSUE 149 MAY 2021

PATTERN DOWNLOAD

CUT OUT & KEEP

WANDA CULOTTES

Designer: Amanda Walker

Magazine page: 20



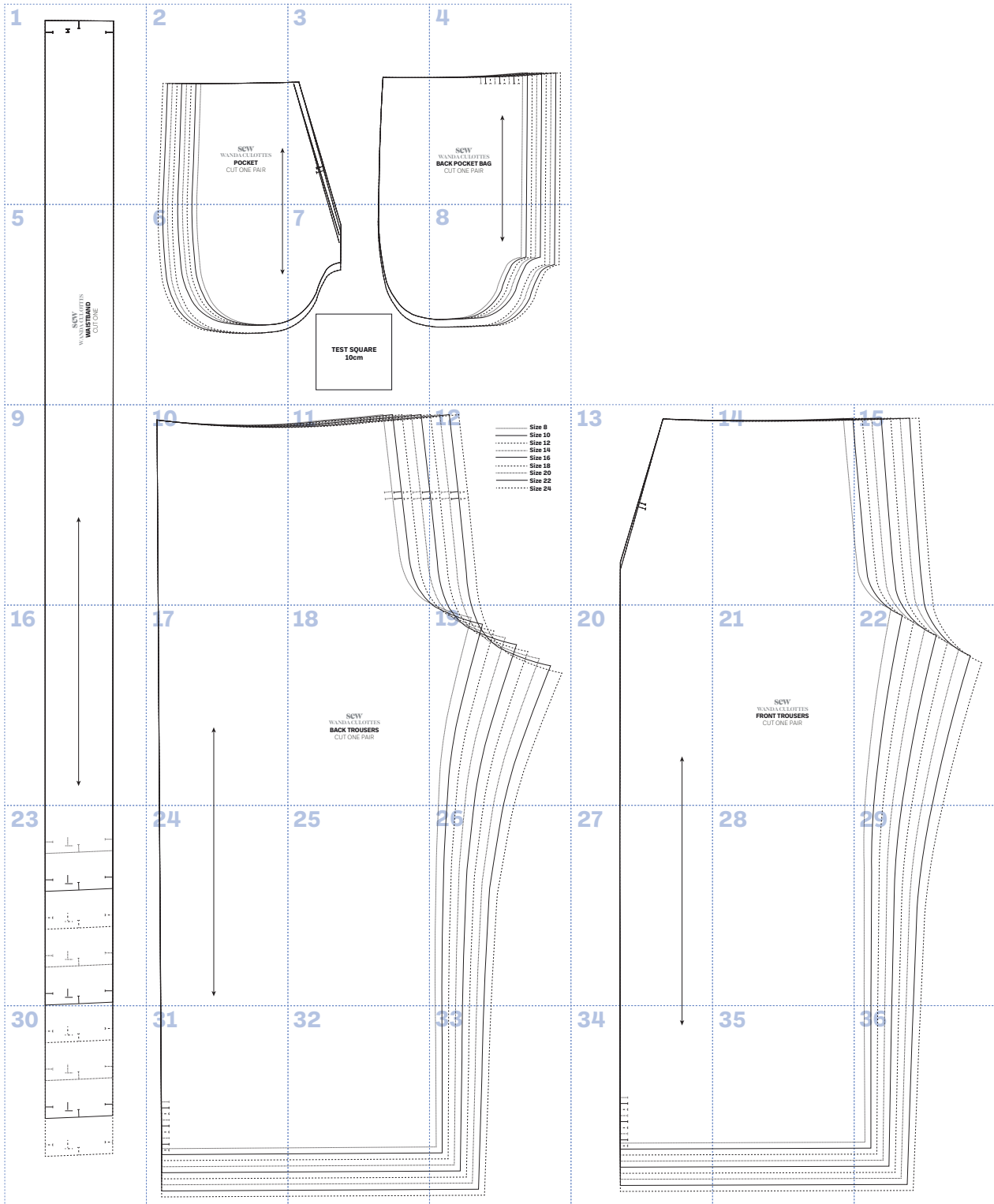
IN YOUR PRINT MENU, UNDER SIZE OPTIONS, BE SURE TO
SELECT '**ACTUAL SIZE/100%**', INSTEAD OF 'FIT TO PAGE'

© ACEVILLE PUBLICATIONS LTD | SEWMAG.CO.UK

All projects, templates and patterns are for personal home use only and cannot be sold or used for commercial purposes.

sew
sewmag.co.uk

PATTERN LAYOUT

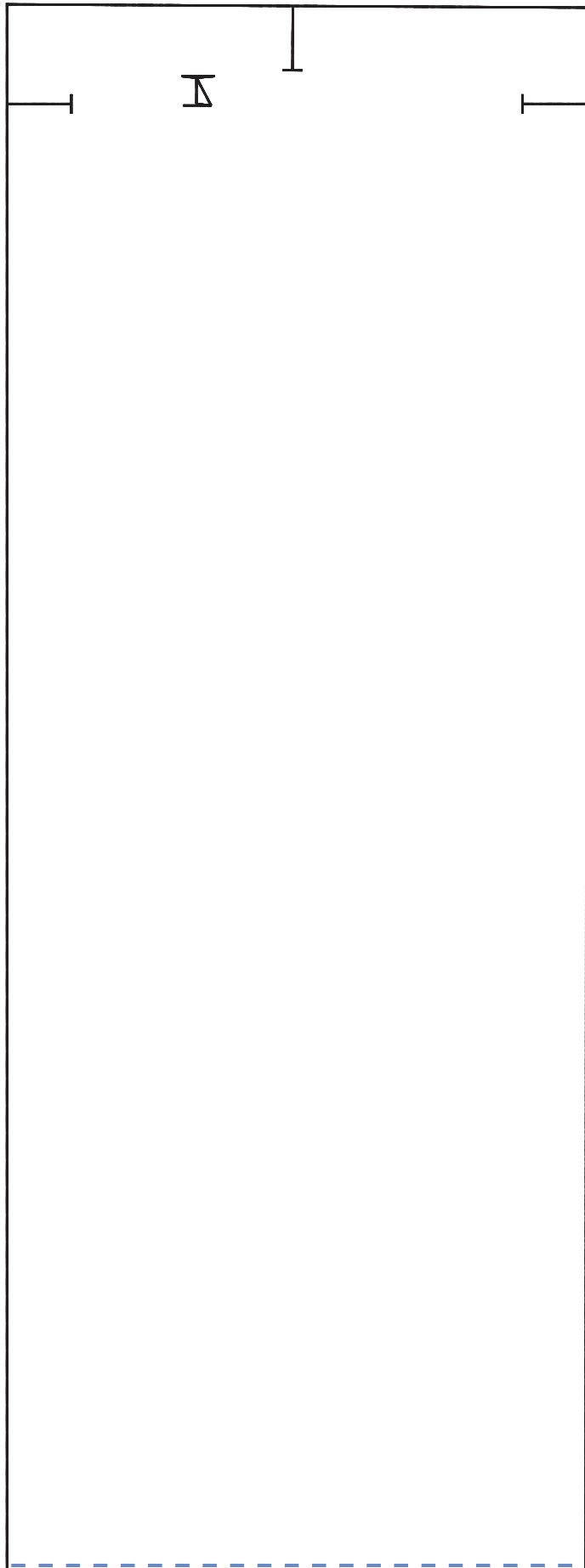


YOUR SIZING CHART

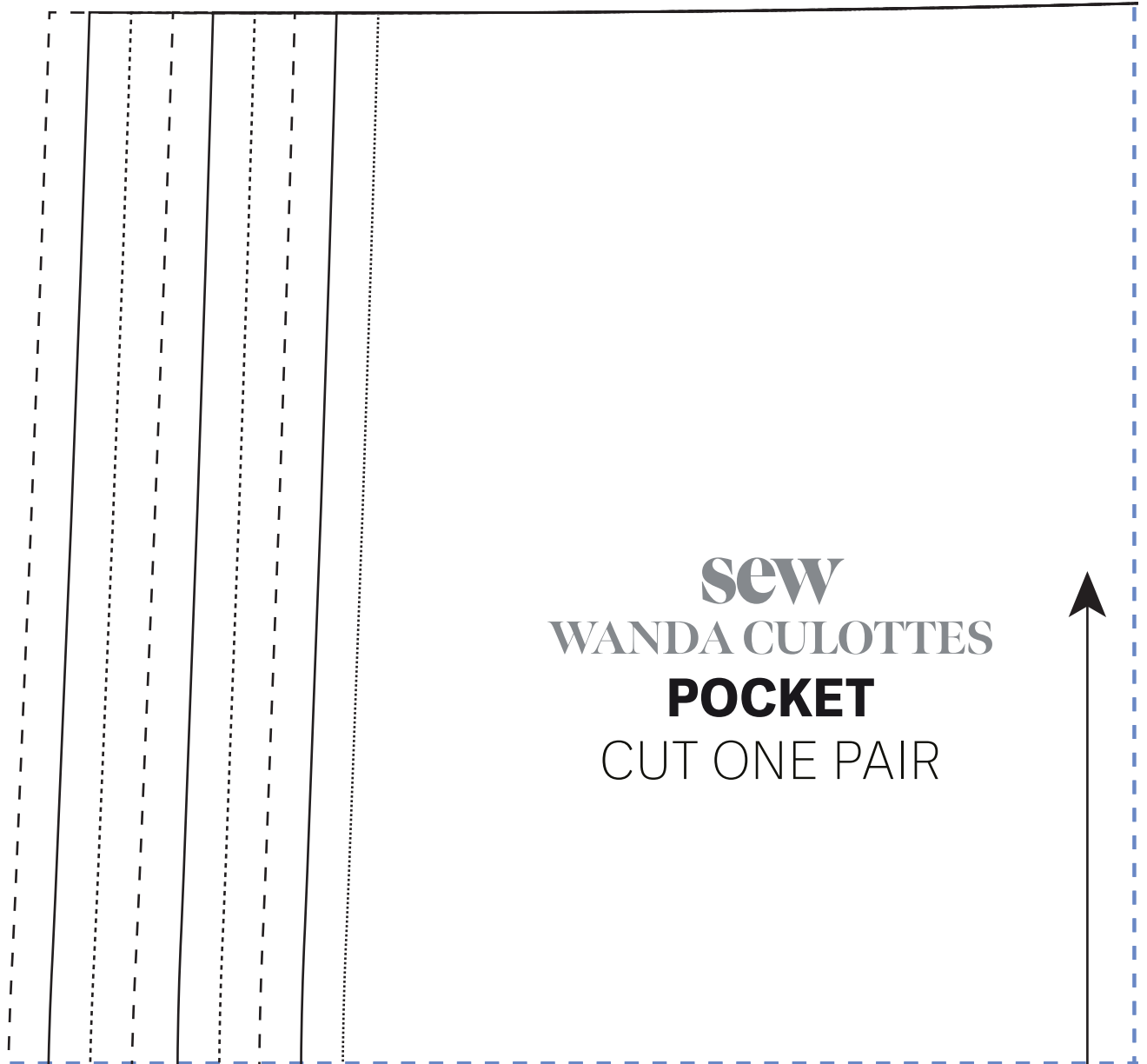
	8	10	12	14	16	18	20	22	24
Bust cm	78	83	88	93	98	103	108	113	118
Waist cm	59	64	69	74	79	84	89	94	99
Hip cm	85	88	93	98	103	108	113	118	123
Back neck to waist	39	40	41	42	43	44	45	46	47

Once you have your body measurements, choose the closest size from the chart below. Remember, there will be variations depending on which fabric and pattern you choose, so always make a toile first.

1

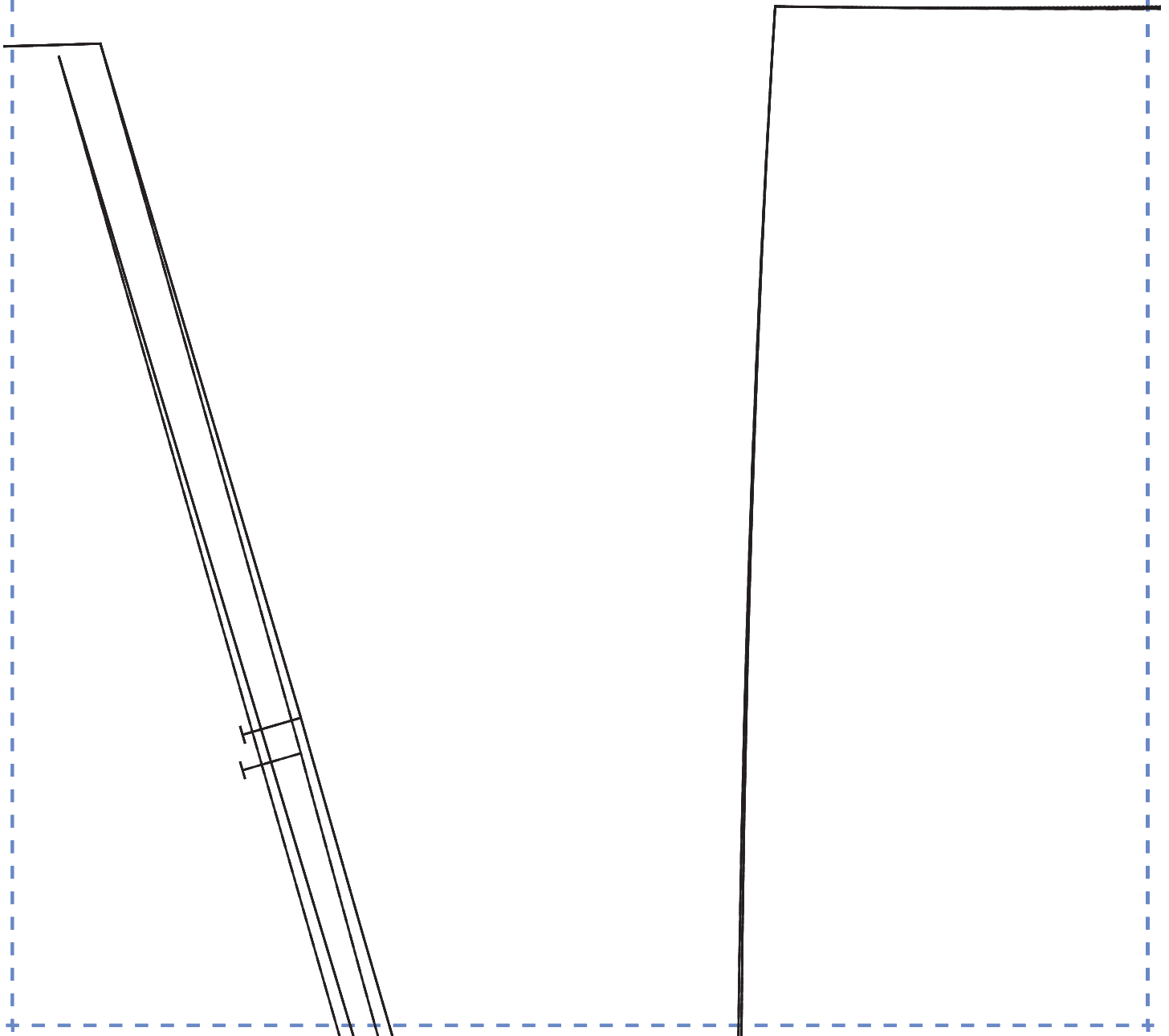


2



sew
WANDA CULOTTES
POCKET
CUT ONE PAIR

3



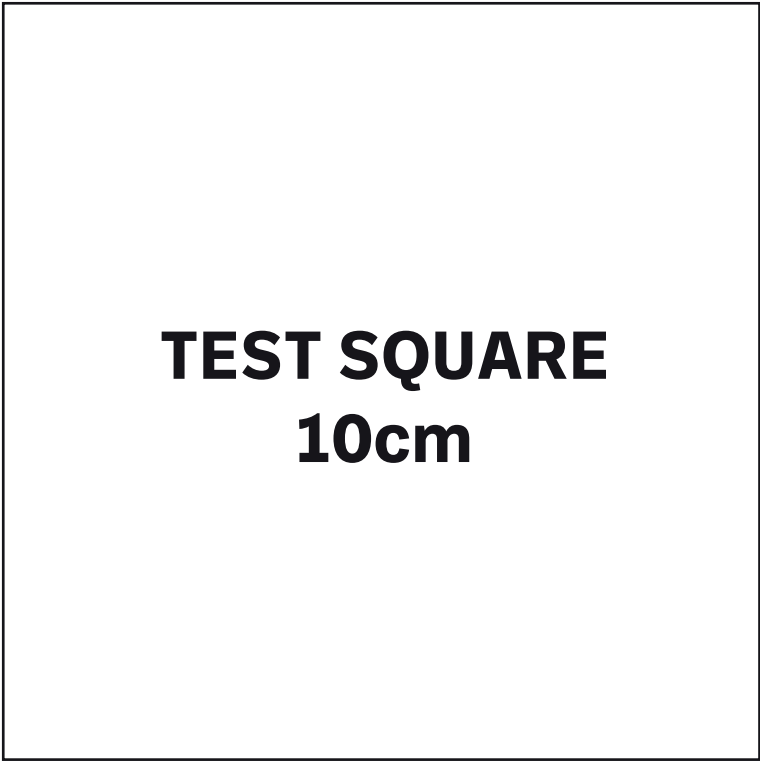
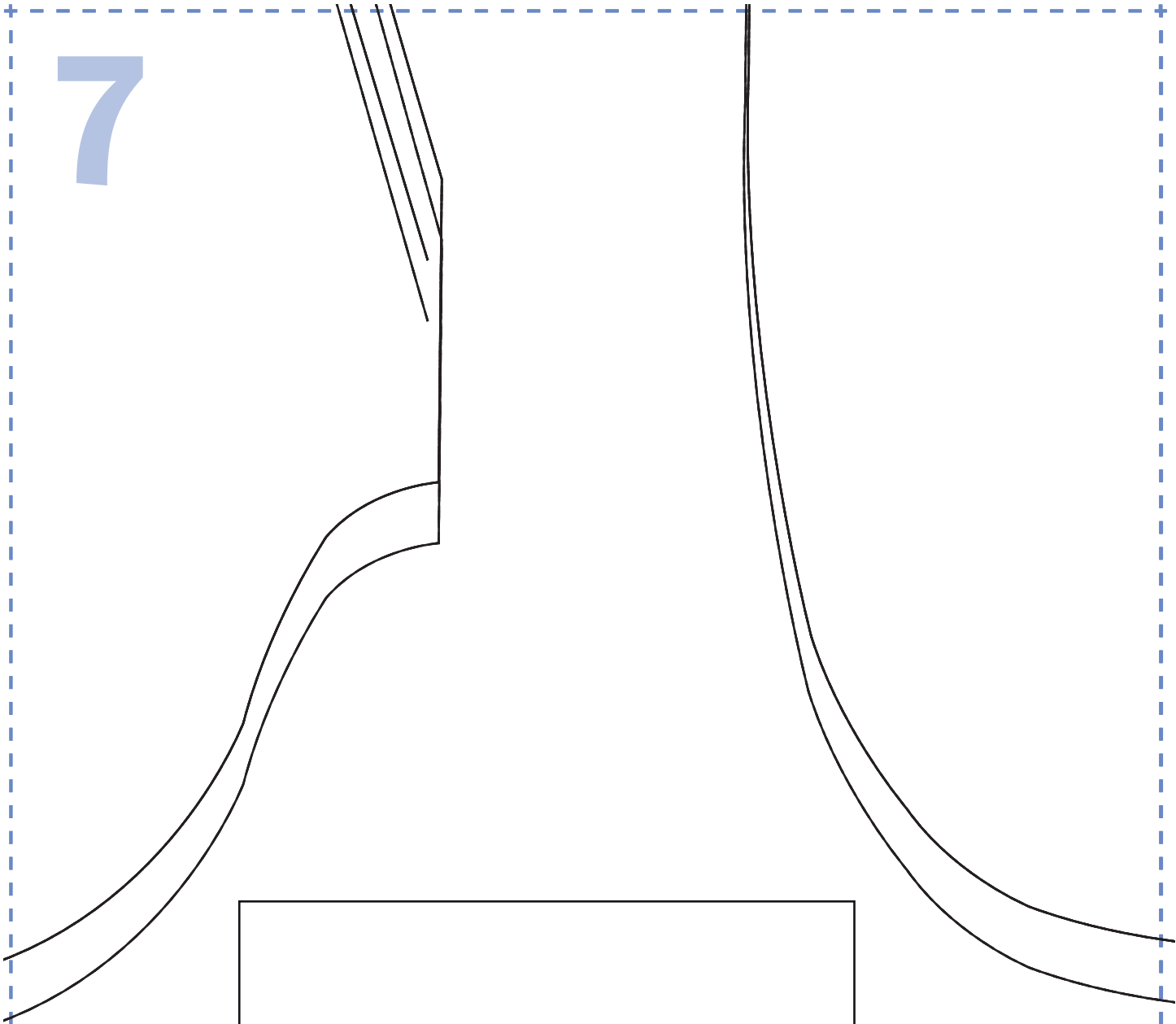
5

SEW
WANDA CULOTTES
WAISTBAND
CUT ONE

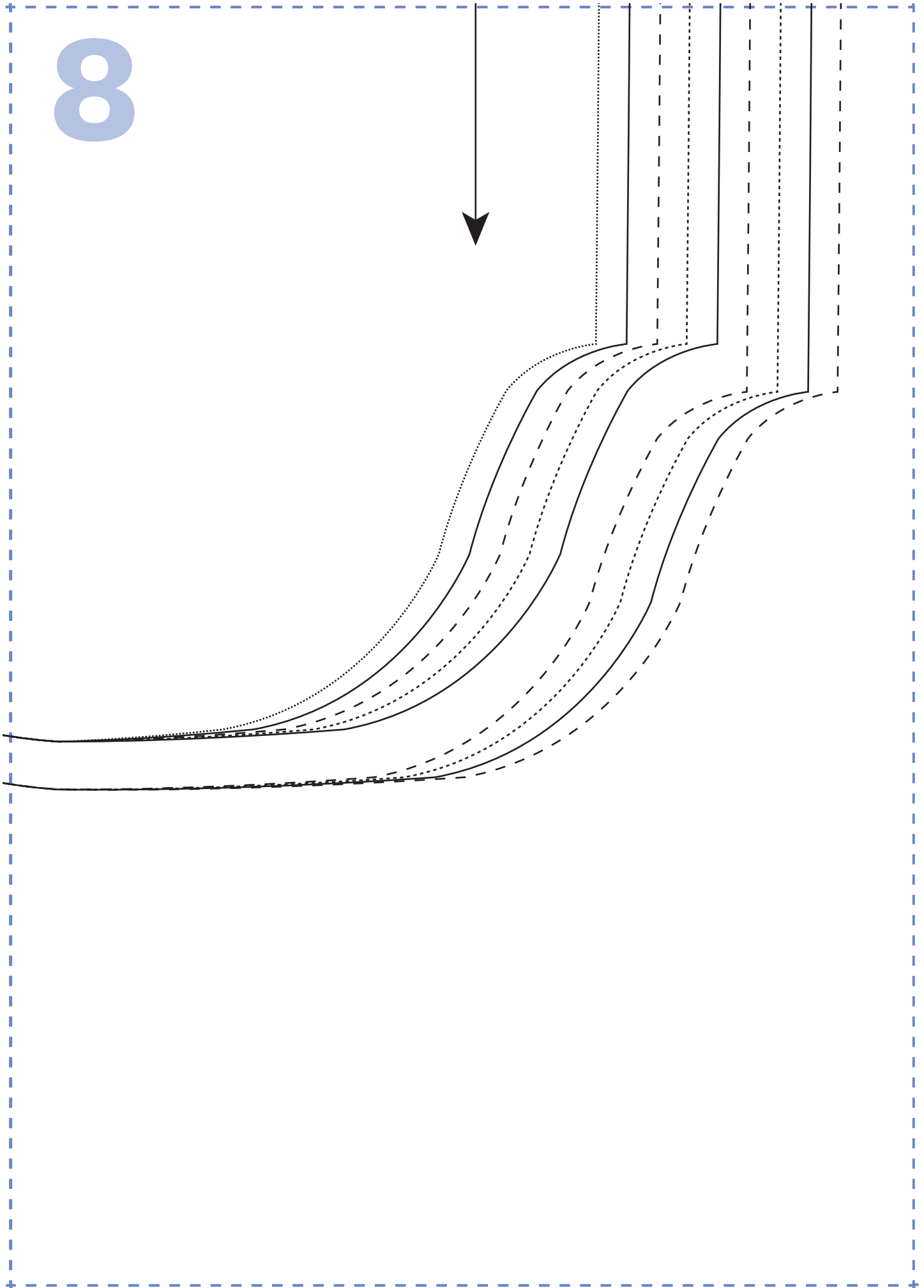
6



7



8



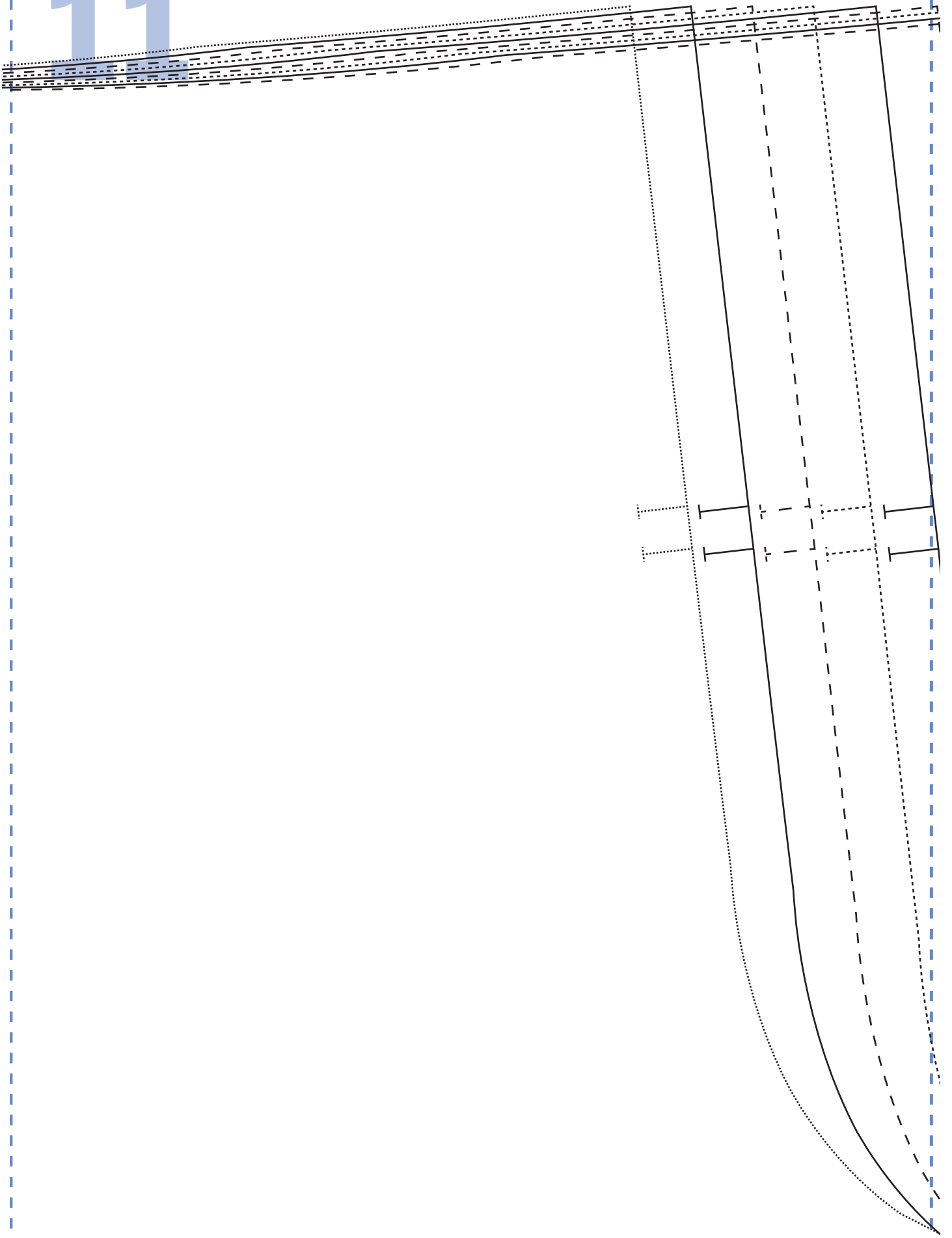
9



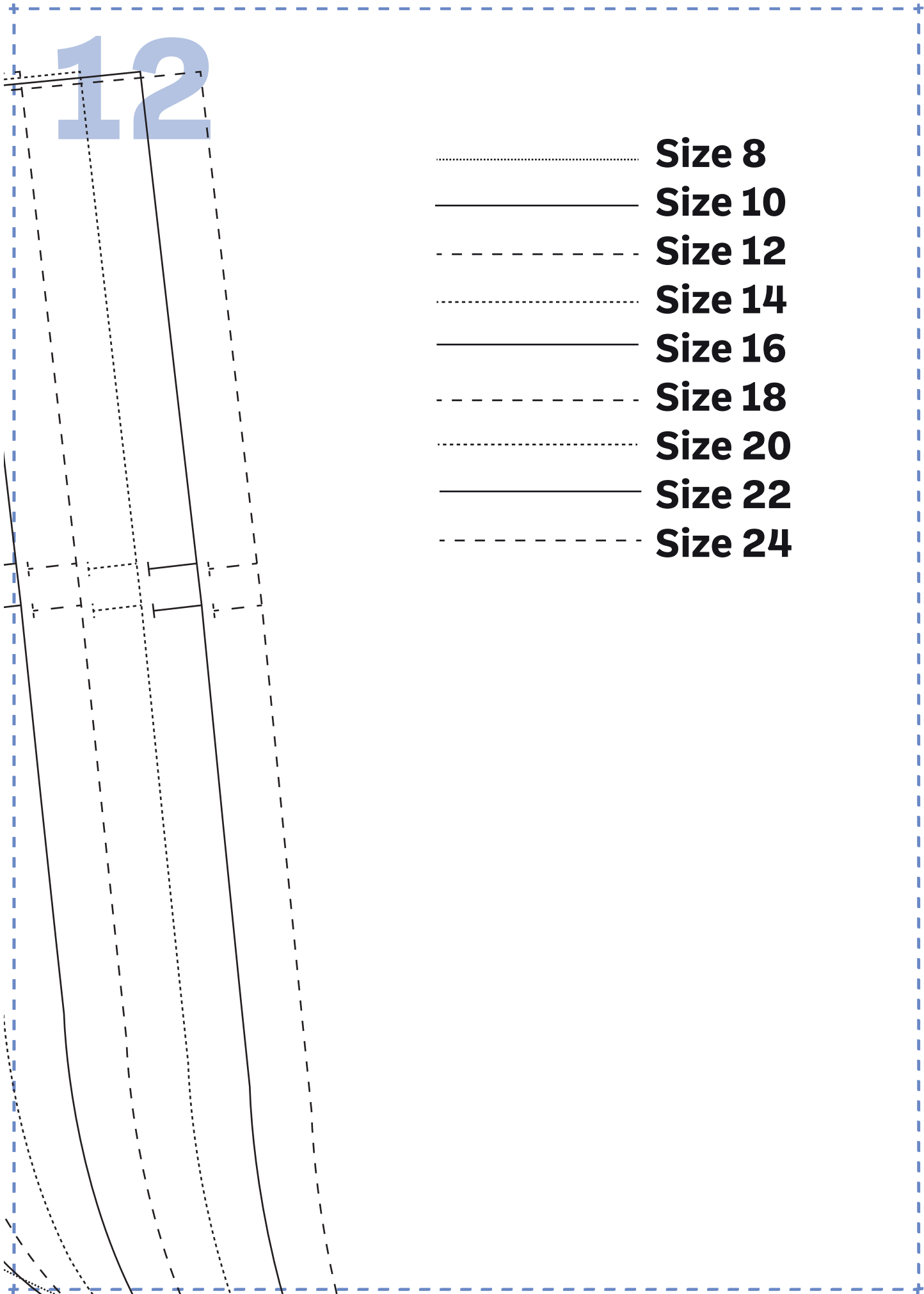
10



11

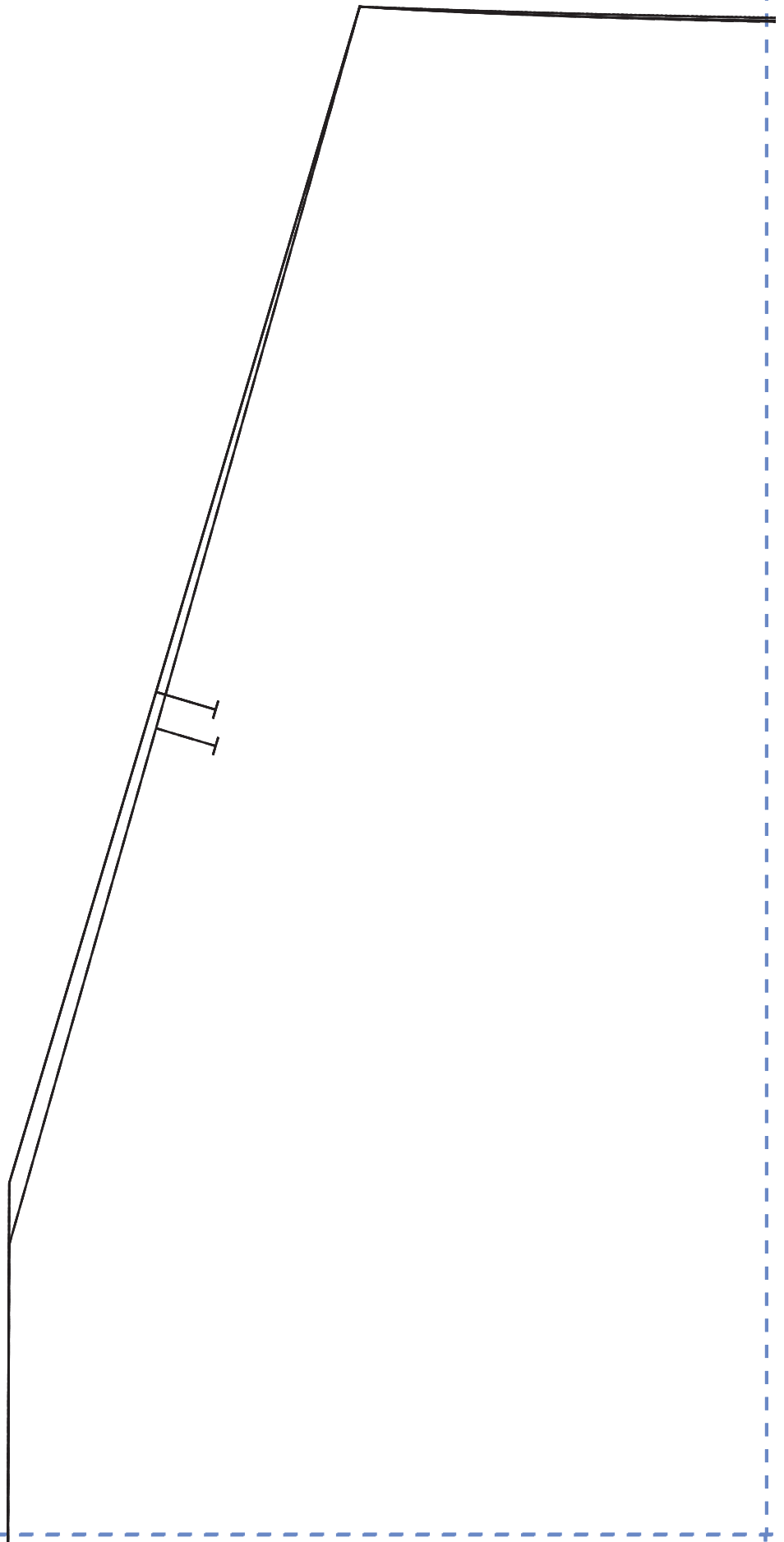


12



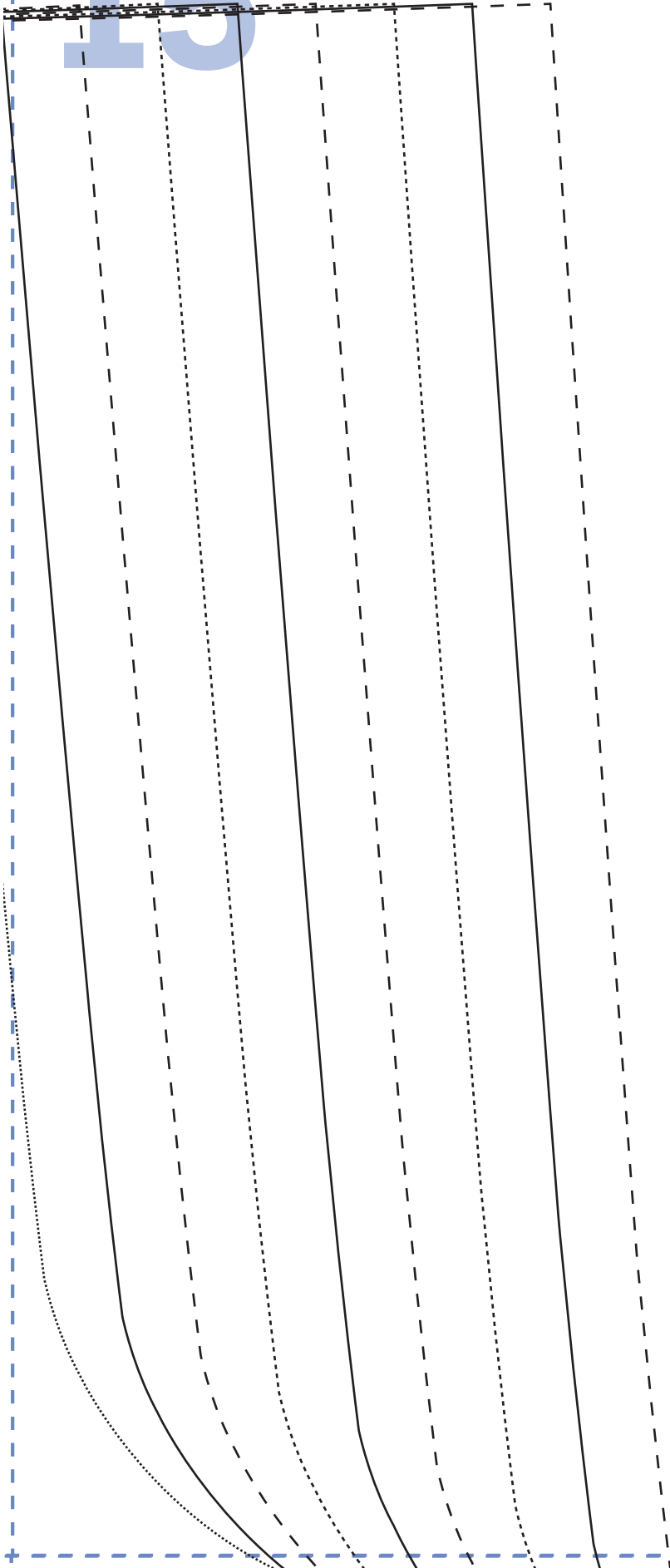
- **Size 8**
- **Size 10**
- - - - **Size 12**
- **Size 14**
- **Size 16**
- - - - **Size 18**
- **Size 20**
- **Size 22**
- - - - **Size 24**

13



14

15



16



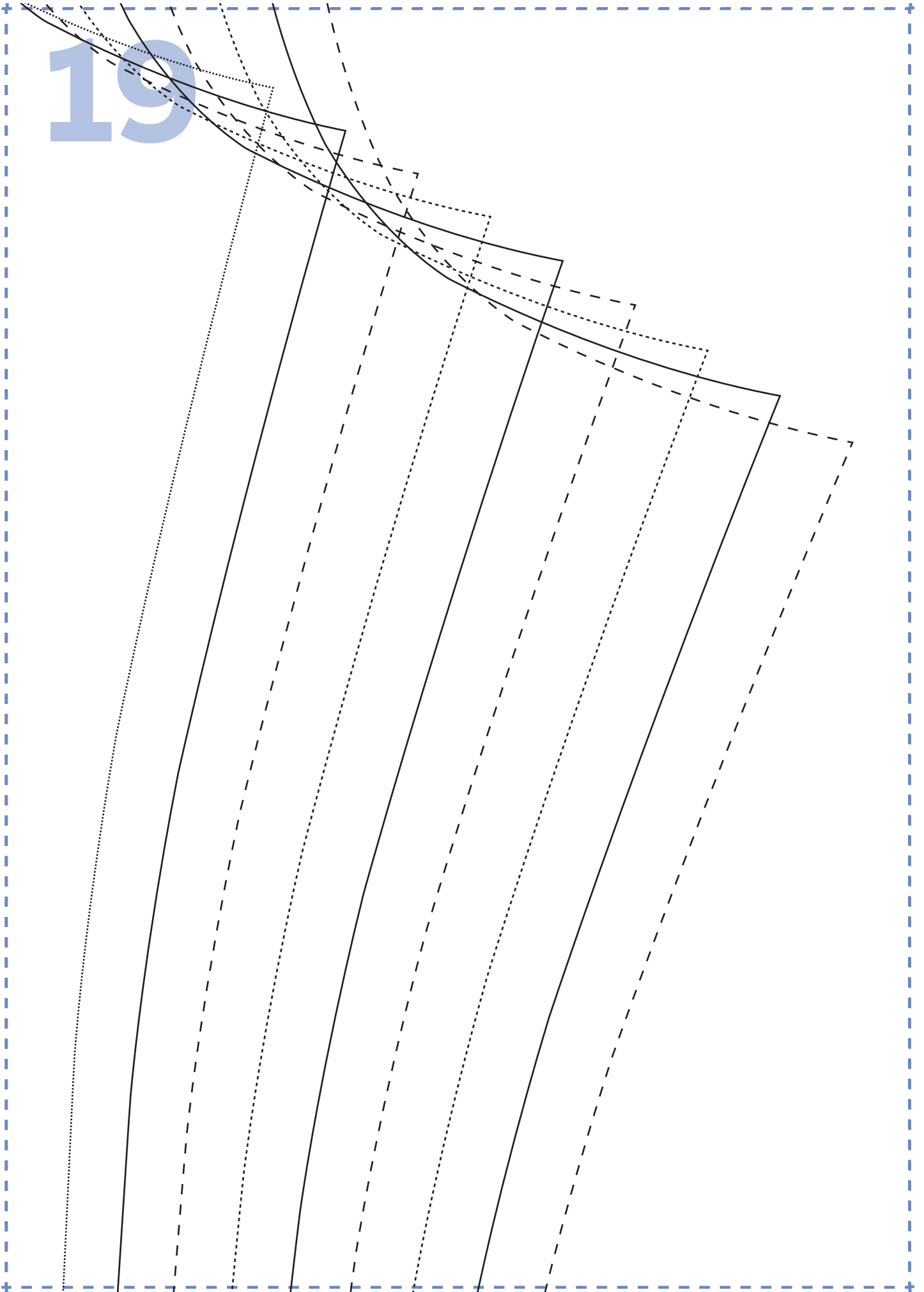
17



18

sew
WANDA CULOTTES
BACK TROUSERS
CUT ONE PAIR

19



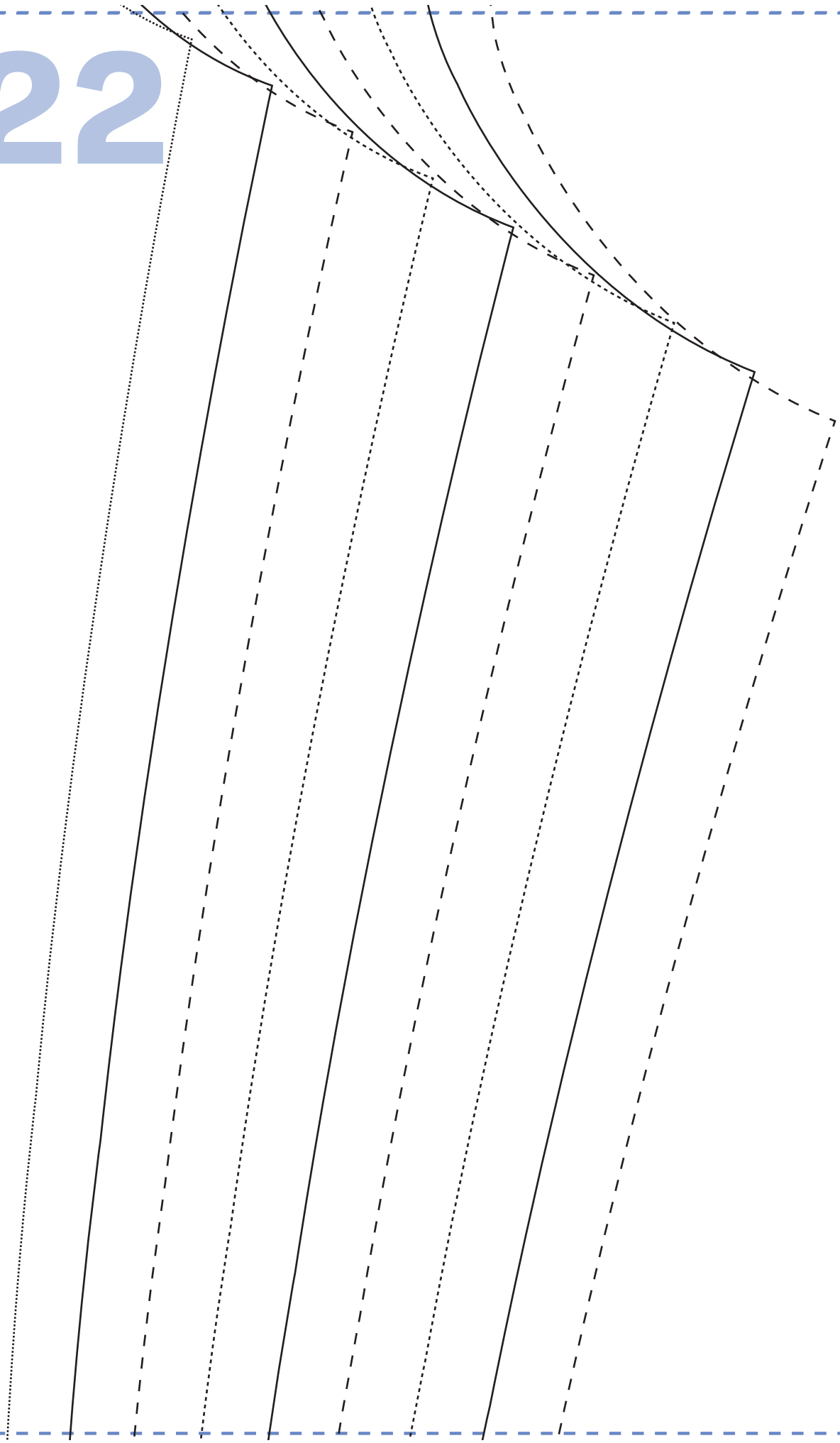
20



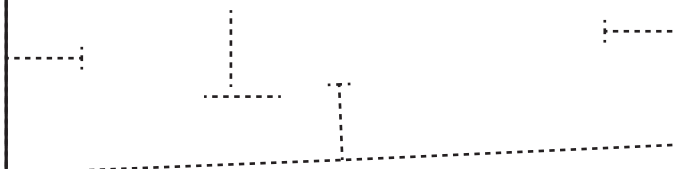
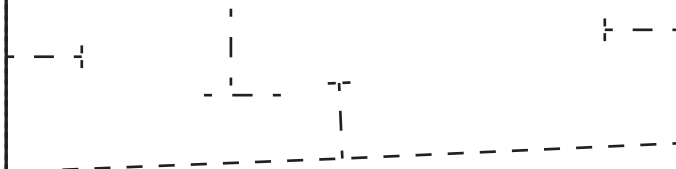
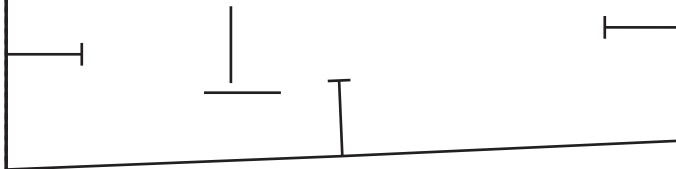
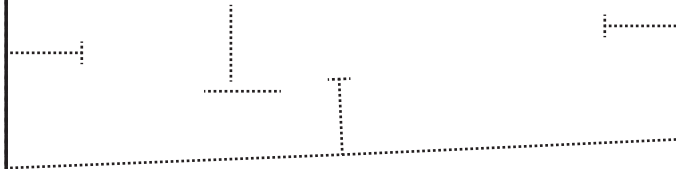
21

sew
WANDA CULOTTES
FRONT TROUSERS
CUT ONE PAIR

22



23

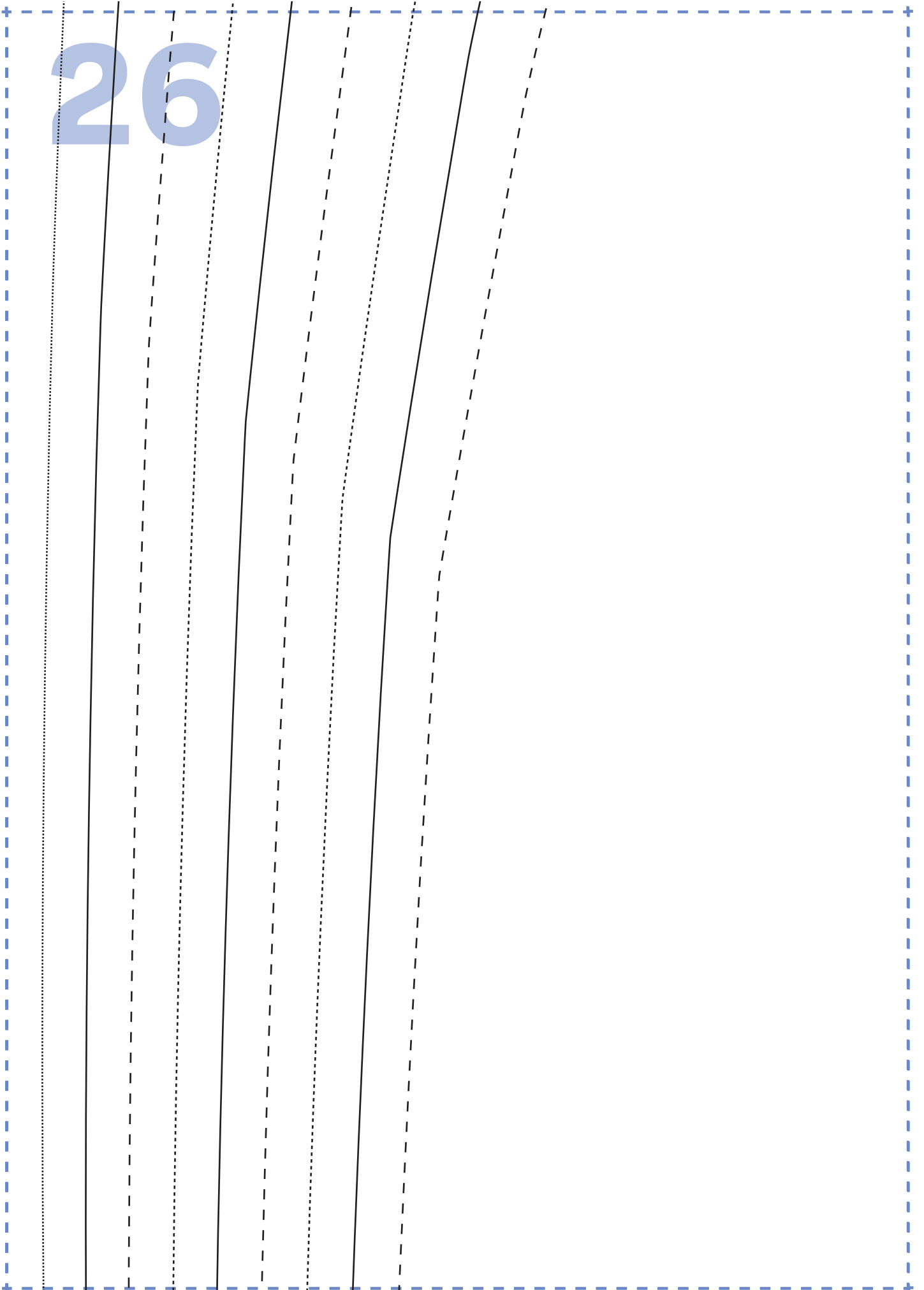


24



25

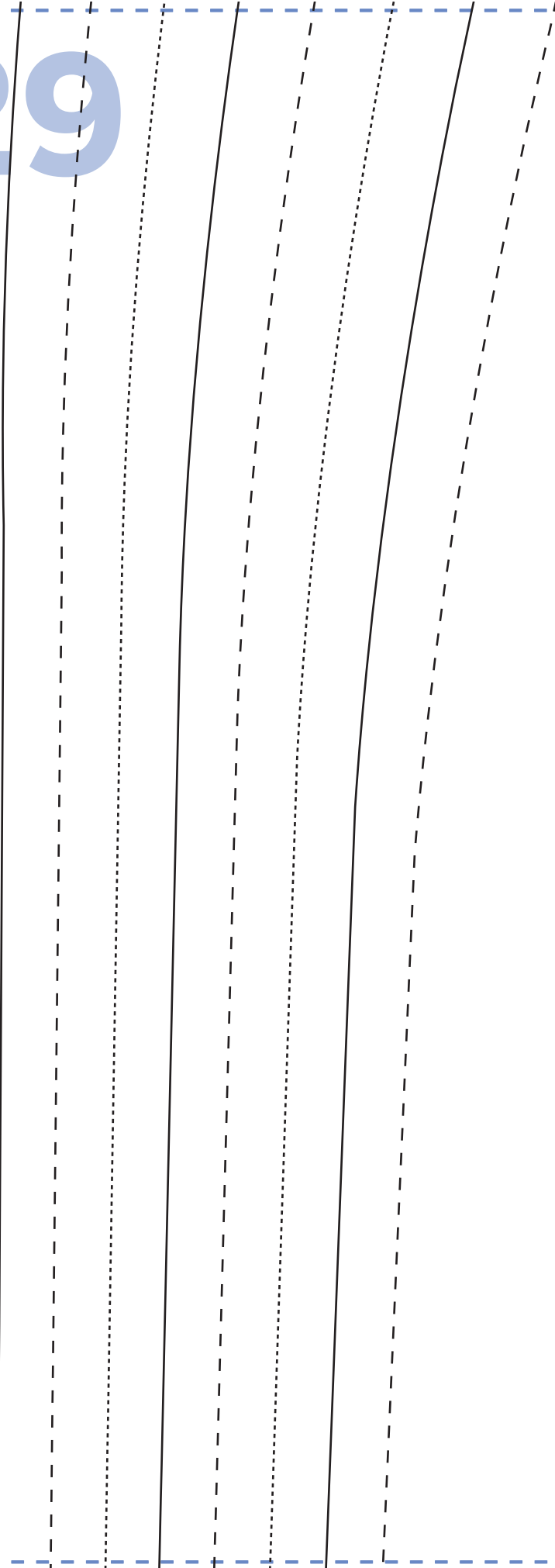
26



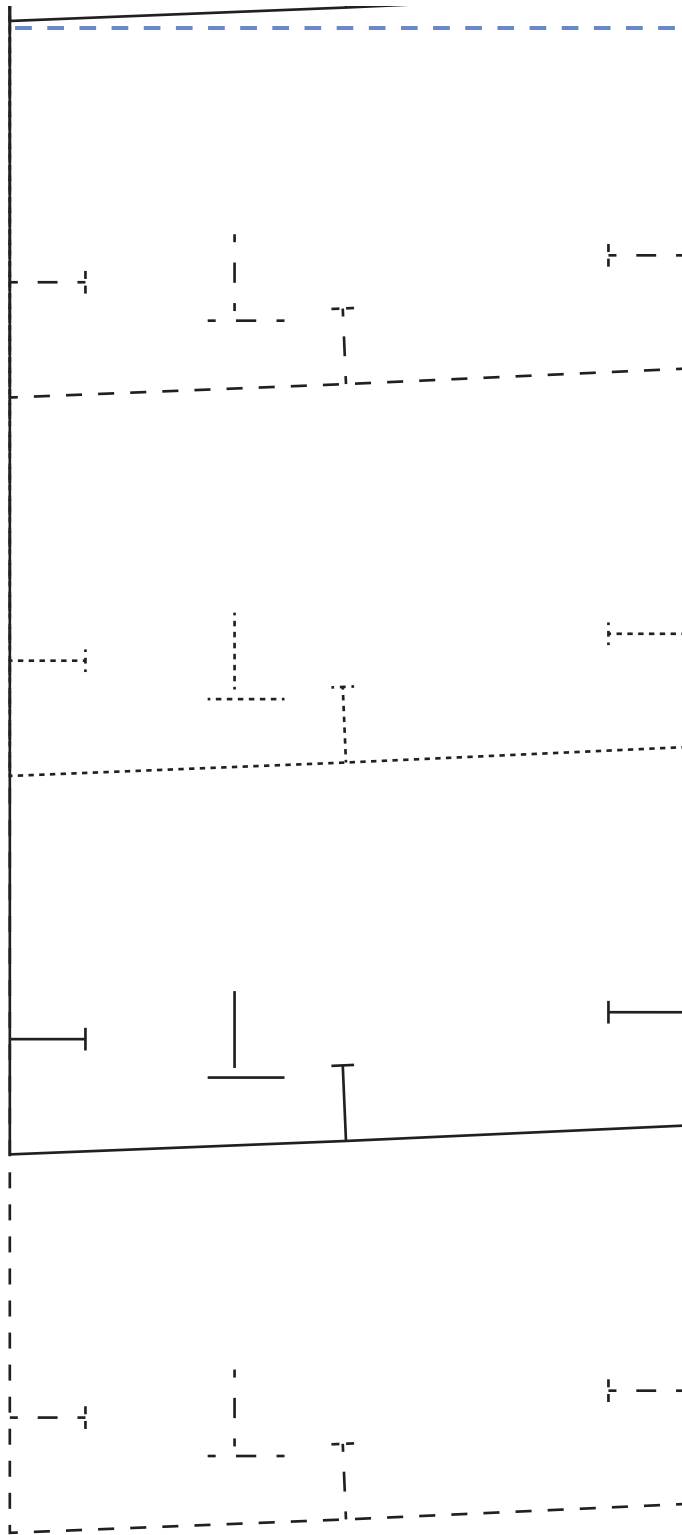
27

28

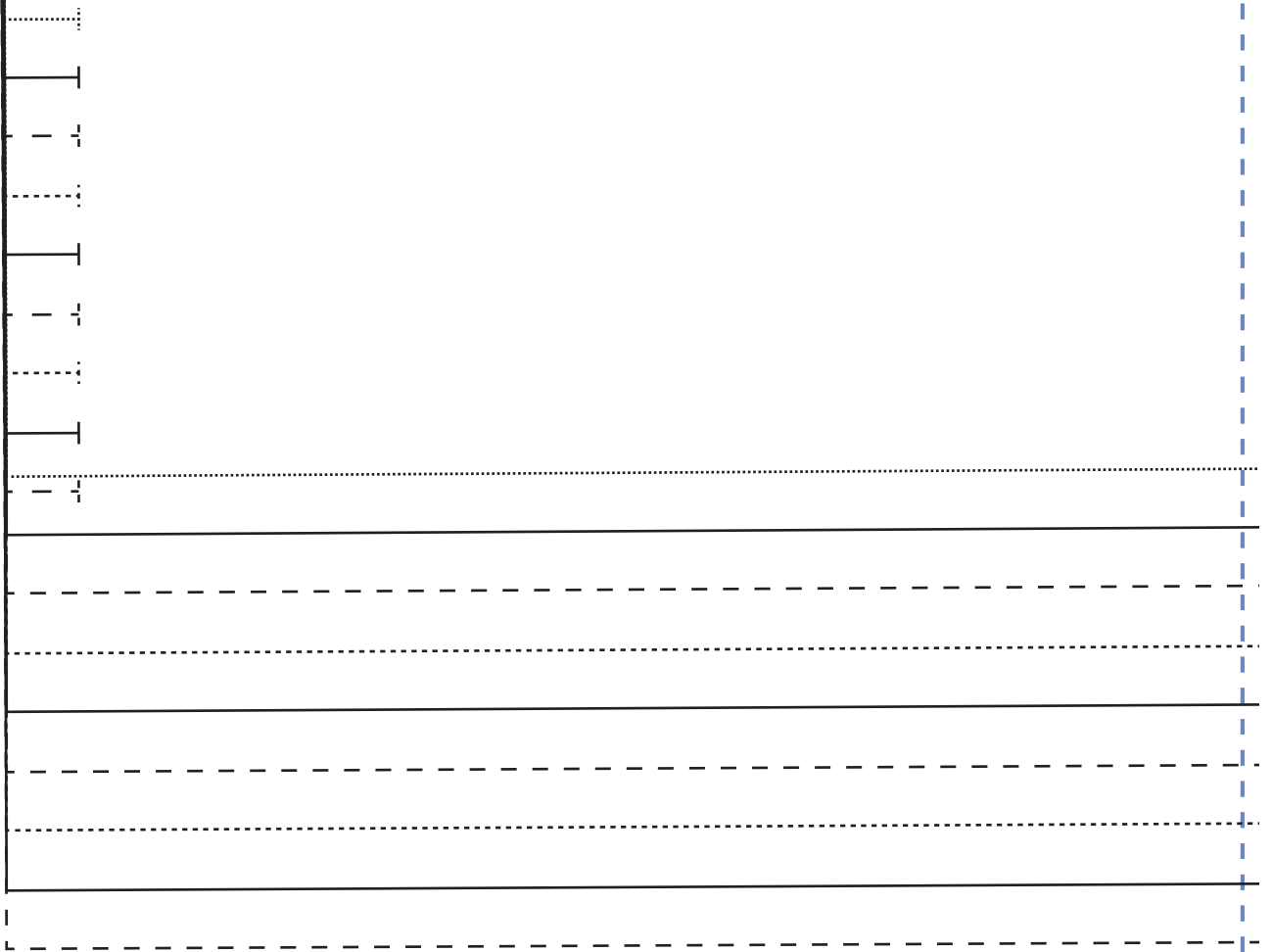
29



30



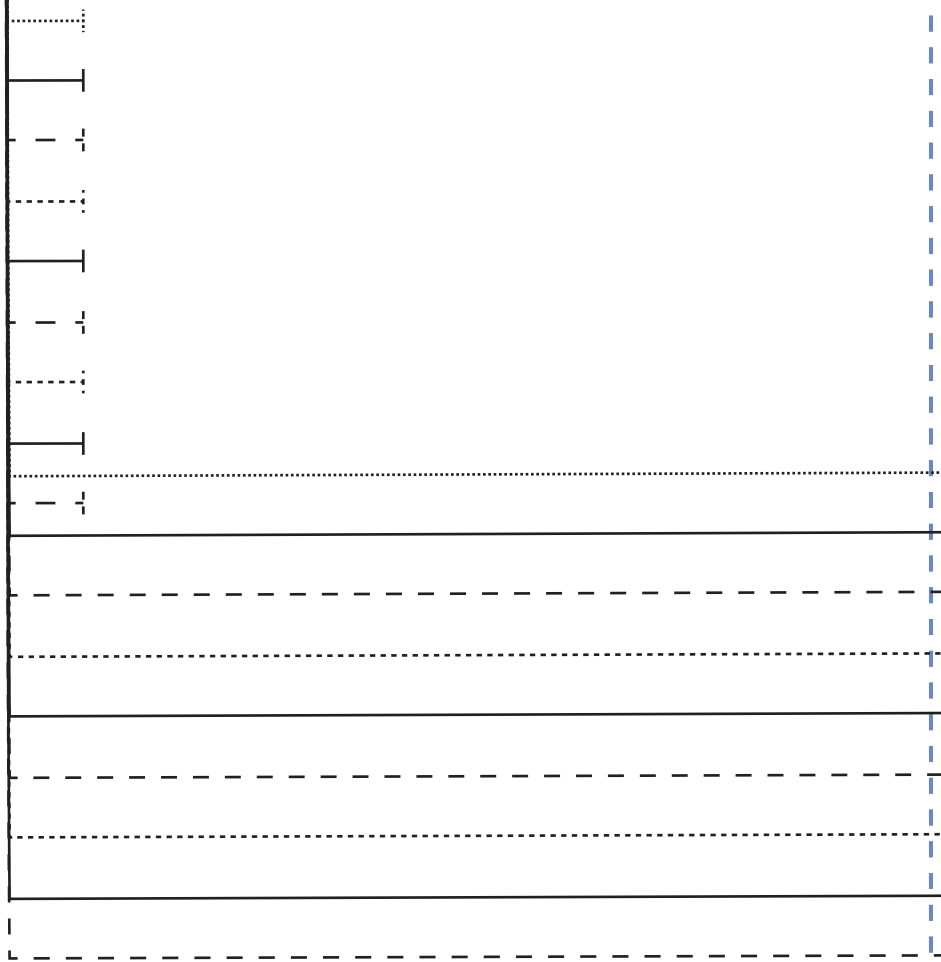
31



32

Handwriting practice lines consisting of four sets of horizontal lines. Each set includes a solid top line, a dashed midline, and a solid bottom line, all contained within a larger dashed rectangular border.

34



35

Handwriting practice lines consisting of four sets of horizontal lines. Each set includes a solid top line, a dashed midline, and a solid bottom line, all contained within a larger dashed blue border.

36

